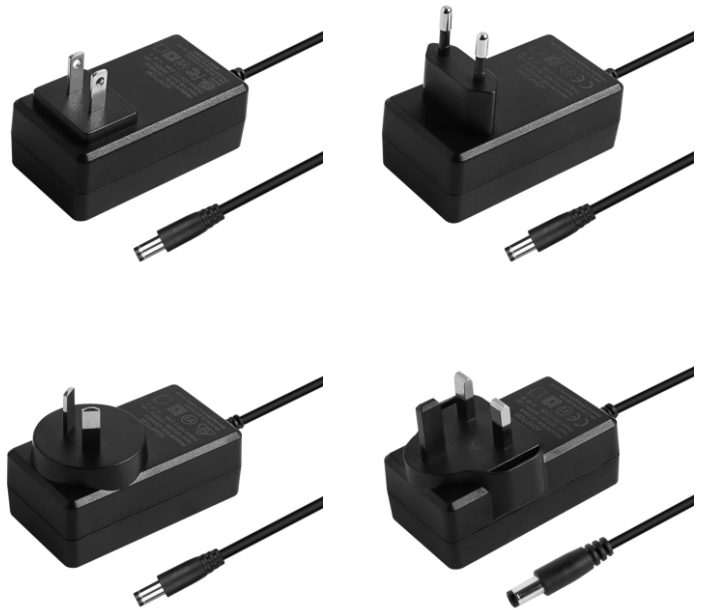


FEATURES:

- Input: AC 100-240V~ 50/60Hz
- Available plug: US, EU, AU, UK, KR plug
- Power: 36W series
- Ovp, ocp, scp and Over load protection
- Ripple < 120mV
- Efficiency level: VI
- Dimension: 80*43*30mm(exclude plug)
- Application: Consumer electronics, Telecom and office equipment



SAFETY:

| SAFETY: | |
|-----------------|--|
| Safety Standard | UL 62368, IEC 61347, EN 61558, IEC60601, IEC60335 |
| Safety Approval | UL/cUL, CE, FCC, UKCA, PSE, CB, SAA, KC, TUV |
| EMC Standard | EMC EMISSION: EN55032 class B (CISPR32), EN61000-3-2,-3, EAC TP TC 020 EMC IMMUNITY: EN61000-4-2,3,4,5,6,8,11, EN55024; light industry level, criteria A, EAC TP TC 020 |
| MTBF | 50K hrs min. MIL-HDBK-217F (25°C) |

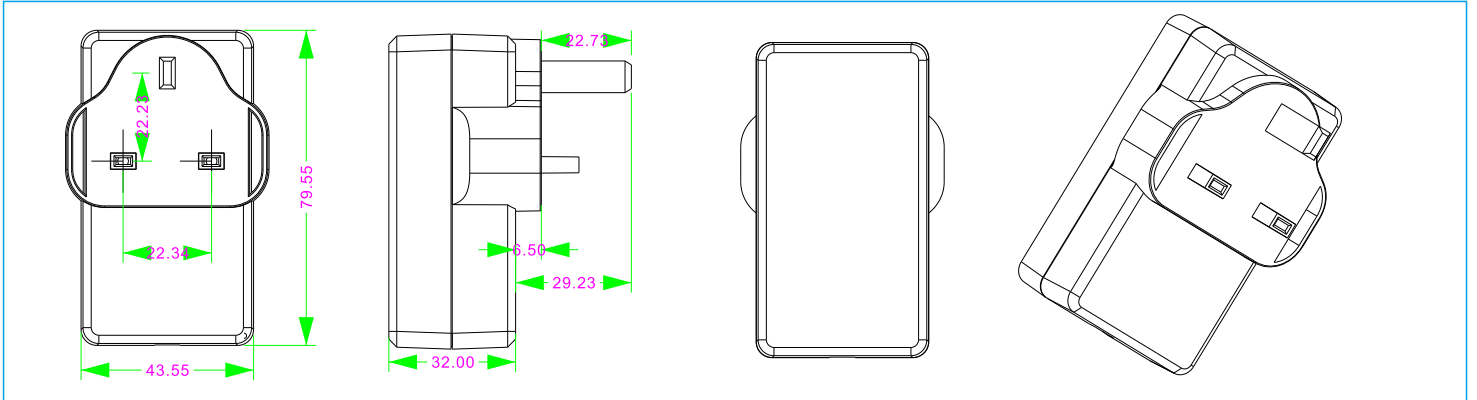
MODEL LIST:

36W WALL MOUNTED SERIES

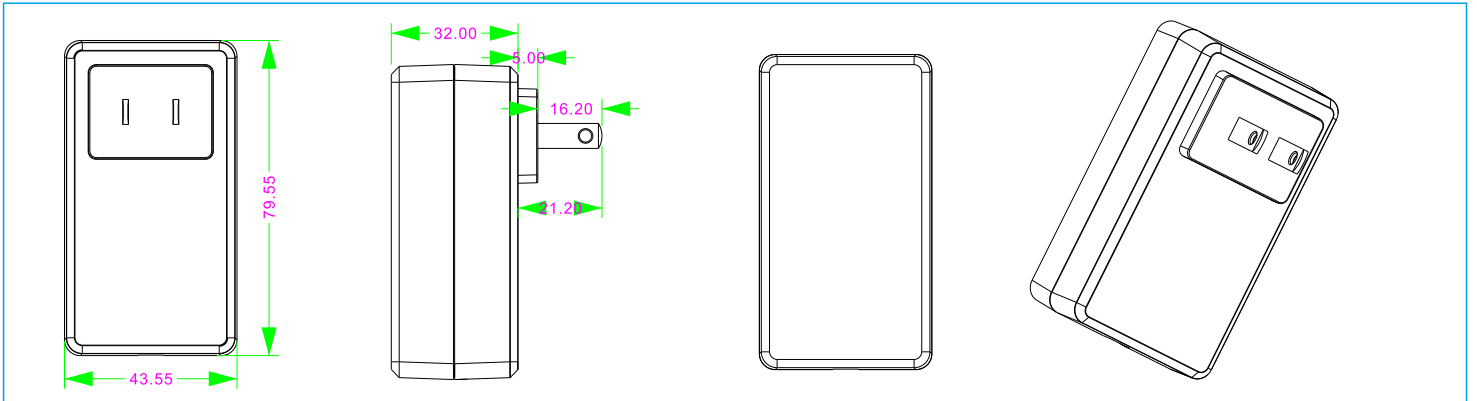
| MODEL | INPUT VOLTAGE | POWER | OUTPUT VOLTAGE | OUTPUT CURRENT | PLUG TYPE |
|------------------|---------------|-------|----------------|----------------|-------------|
| SW-01090400-S03z | 100-240VAC | 36W | 9V | 4.0A | US,EU,AU,UK |
| SW-01120300-S03z | 100-240VAC | 36W | 12V | 3.0A | US,EU,AU,UK |
| SW-01150240-S03z | 100-240VAC | 36W | 15V | 2.4A | US,EU,AU,UK |
| SW-01240150-S03z | 100-240VAC | 36W | 24V | 1.5A | US,EU,AU,UK |
| SW-01360100-S03z | 100-240VAC | 36W | 36V | 1.0A | US,EU,AU,UK |
| SW-01480075-S03z | 100-240VAC | 36W | 48V | 0.75A | US,EU,AU,UK |

Mechanical Diagram

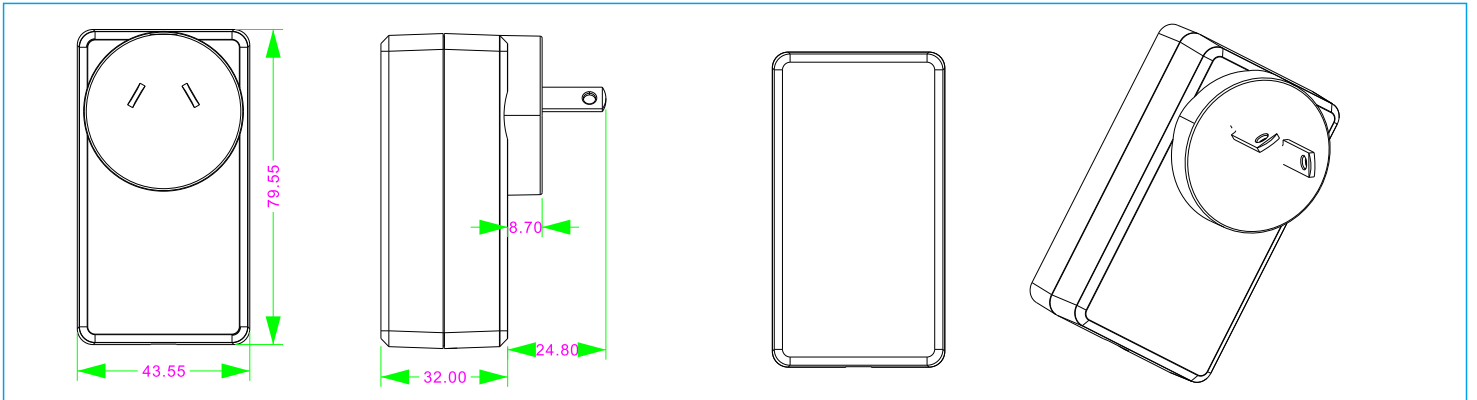
UK PLUG



US PLUG



AUS PLUG



EU PLUG

